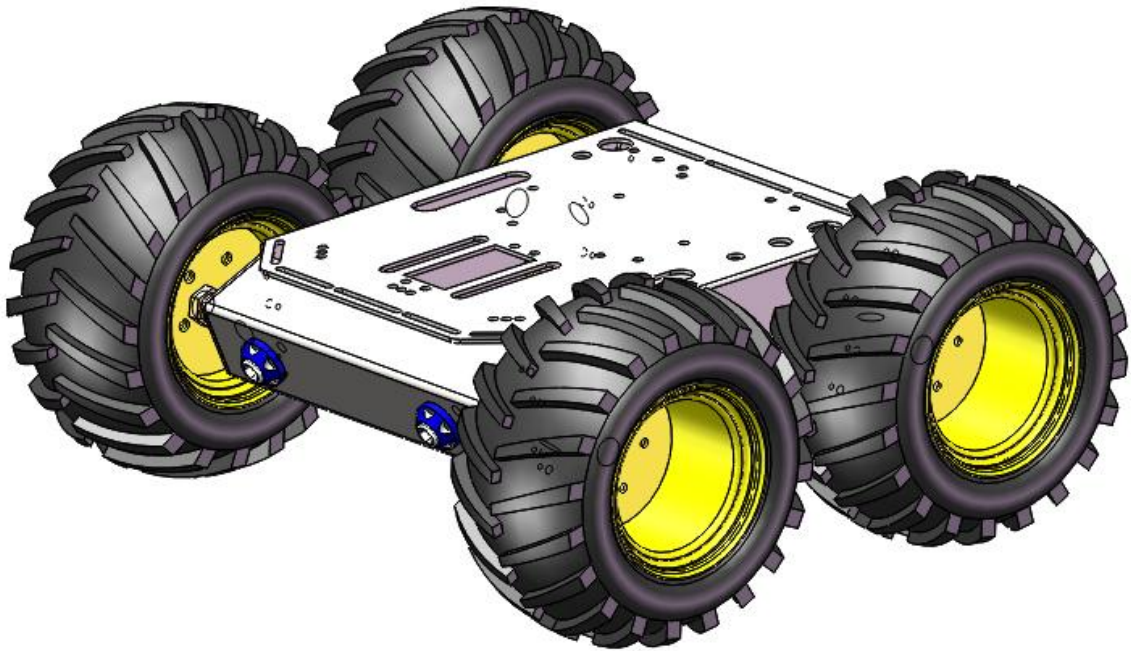


Keenlon Iron Man-3 All Terrain 4WD

Installation Guide Revision 1.0



Safety first! Wear eye protection and never touch a powered robot!

Warning! Chassis is made of stainless steel with sharp edges, be careful!

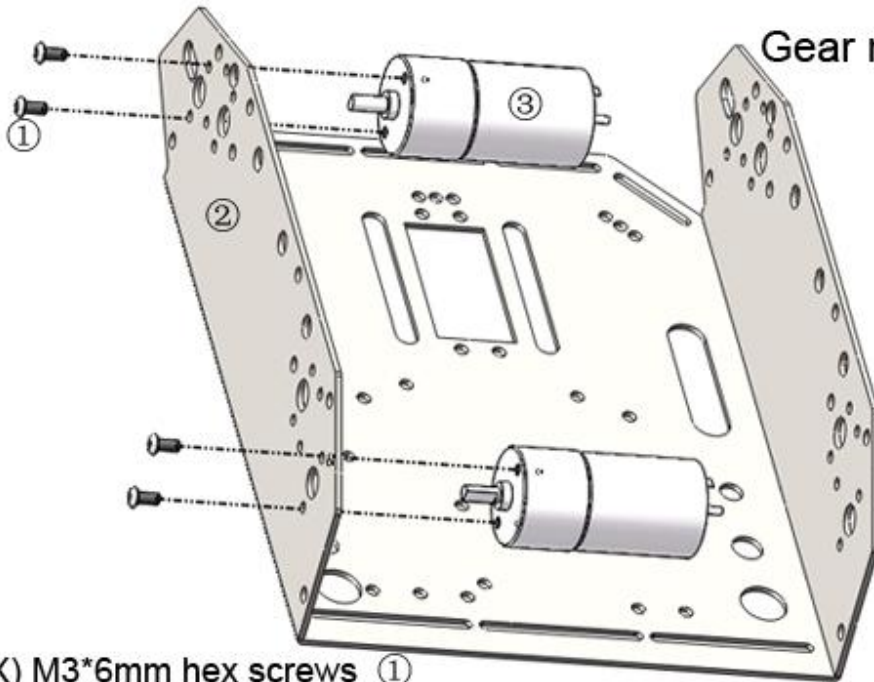
Design & Executive Shanghai Keenlon Hi-Tech Co., Ltd.

Service Techsupport@keenlon.com

Website www.keenlon.com

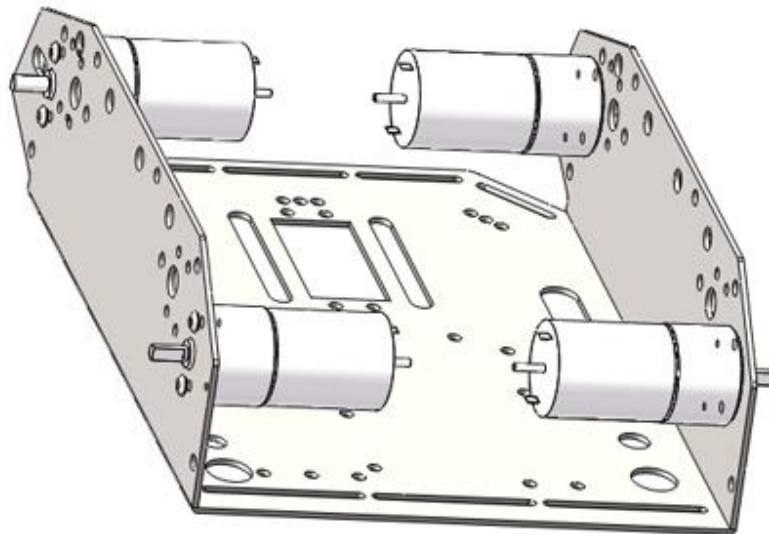
STEP 1A(2X)

Gear motor



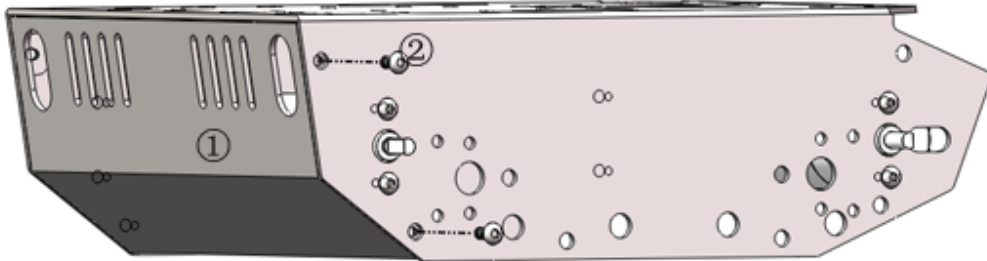
- (4X) M3*6mm hex screws ①
- (1X) Top cover ②
- (2X) Gear motor ③

STEP 1B



STEP 2A(2X)

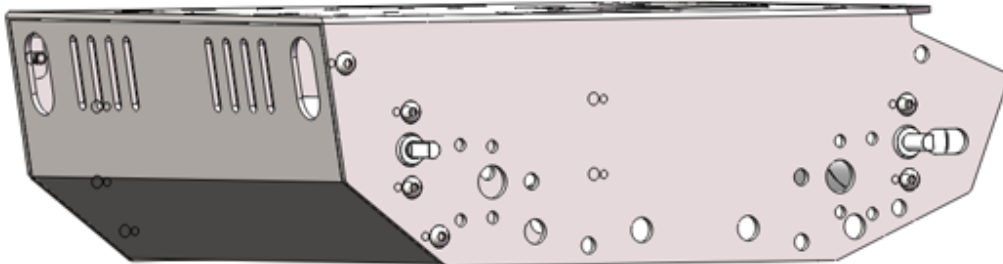
Black cover



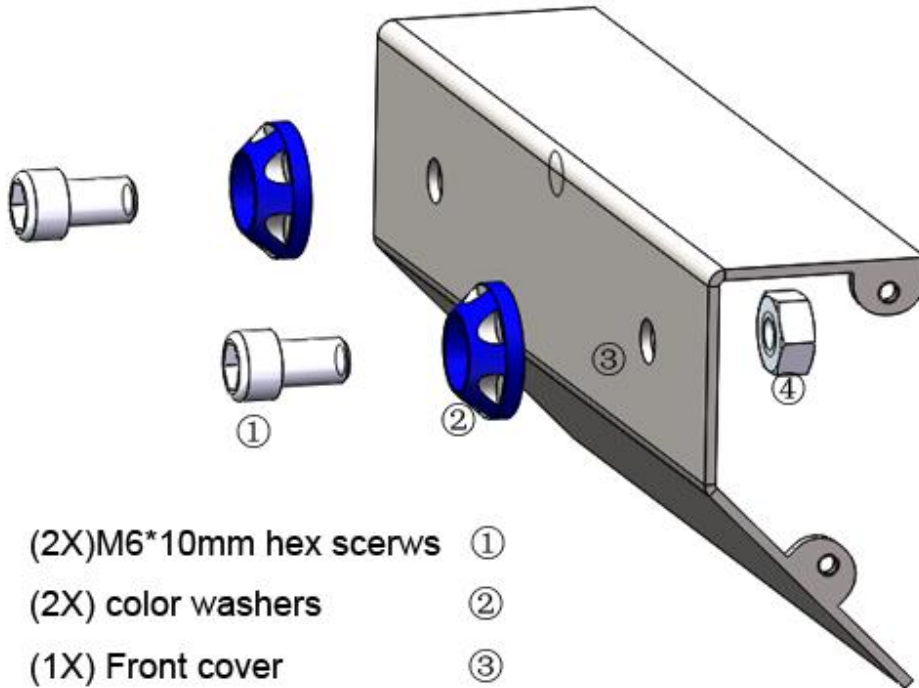
(1X) Black cover ①

(2X)M3*6mm hex screws ②

STEP 2B

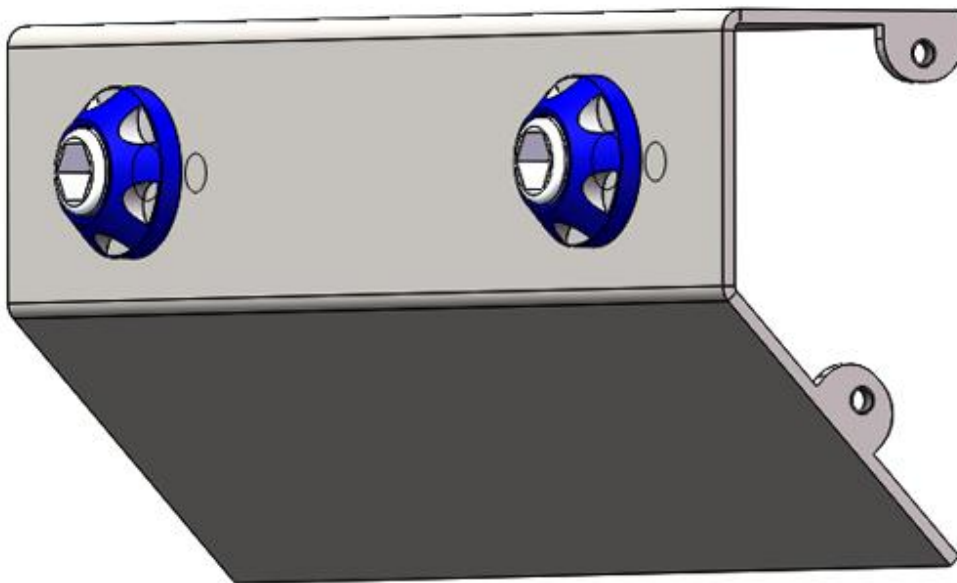


STEP 3A



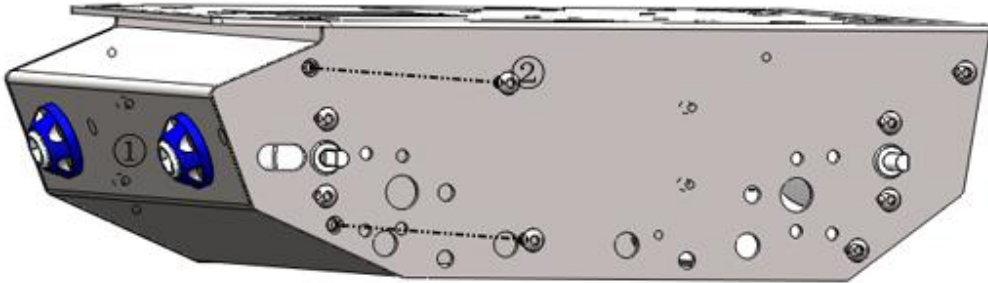
- (2X) M6*10mm hex screws ①
- (2X) color washers ②
- (1X) Front cover ③
- (2X) M6 lock nuts ④

STEP 8B



STEP 4A (2X)

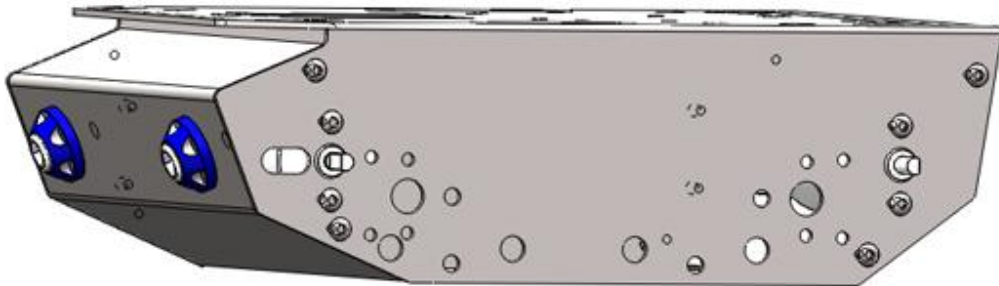
Front cover



(1X) Front cover ①

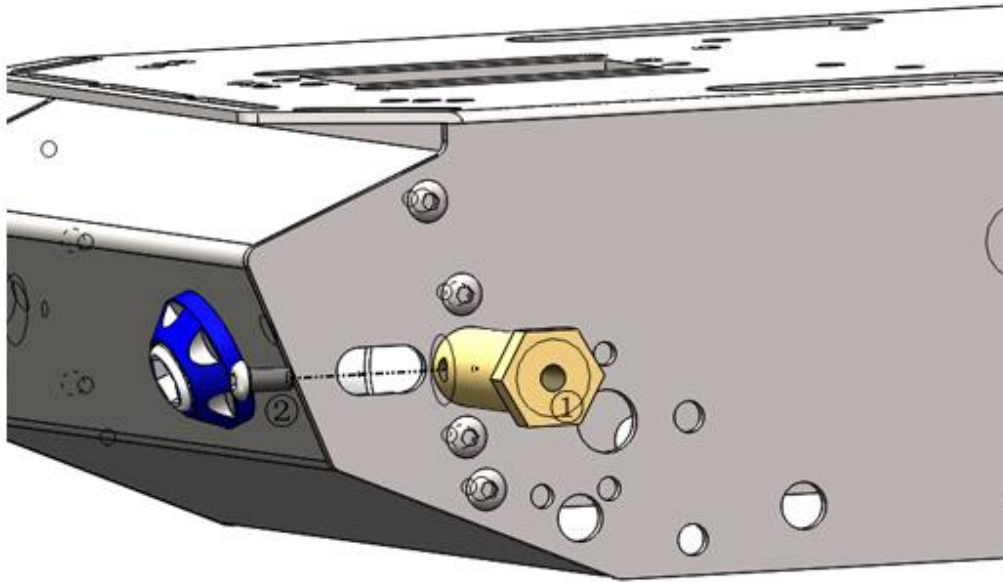
(2X) M3*6mm hex cover ②

STEP 4B



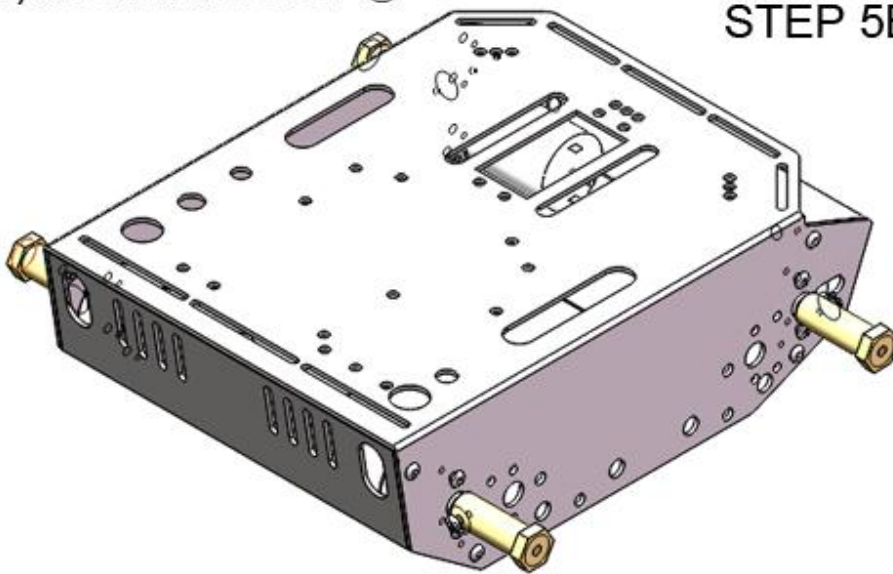
STEP 5A (4X)

Hubs



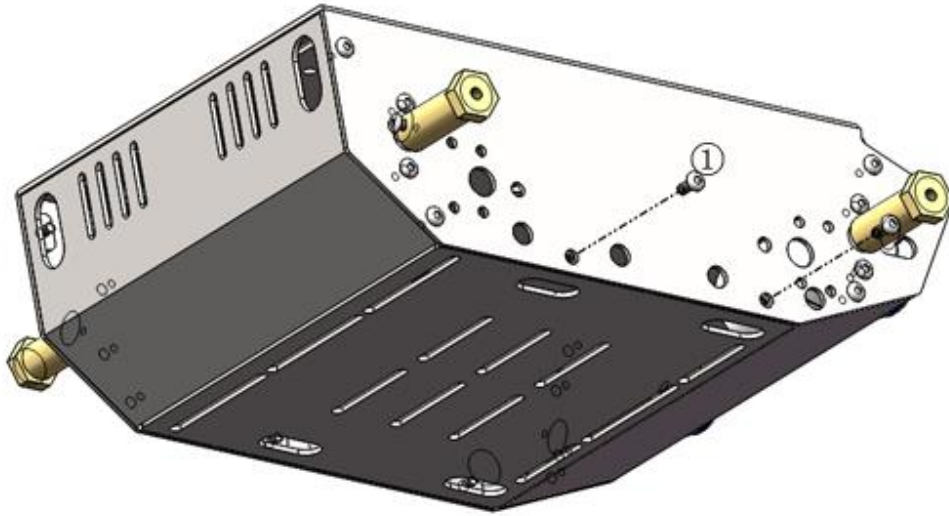
- (1X) Motor hub ①
- (1X) M3*6mm hex screw ②

STEP 5B



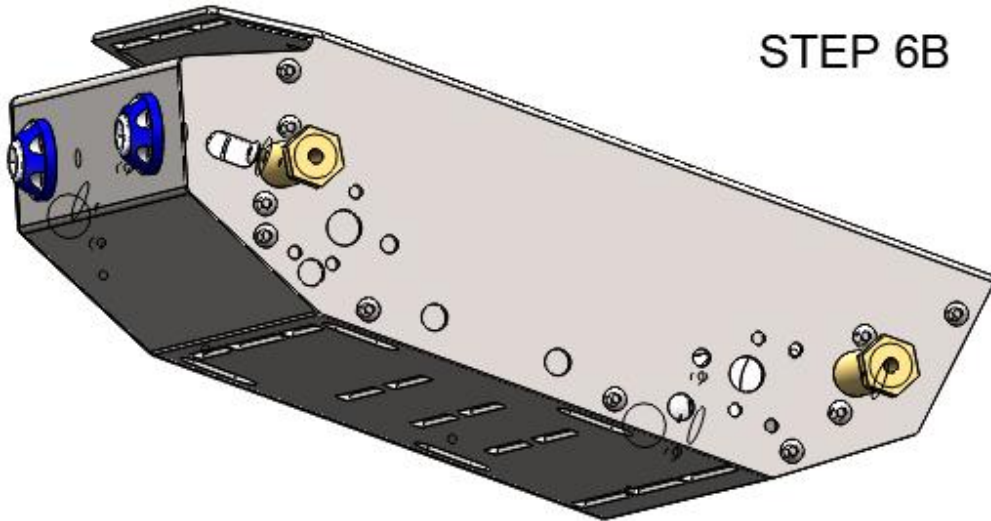
STEP 6A(2X)

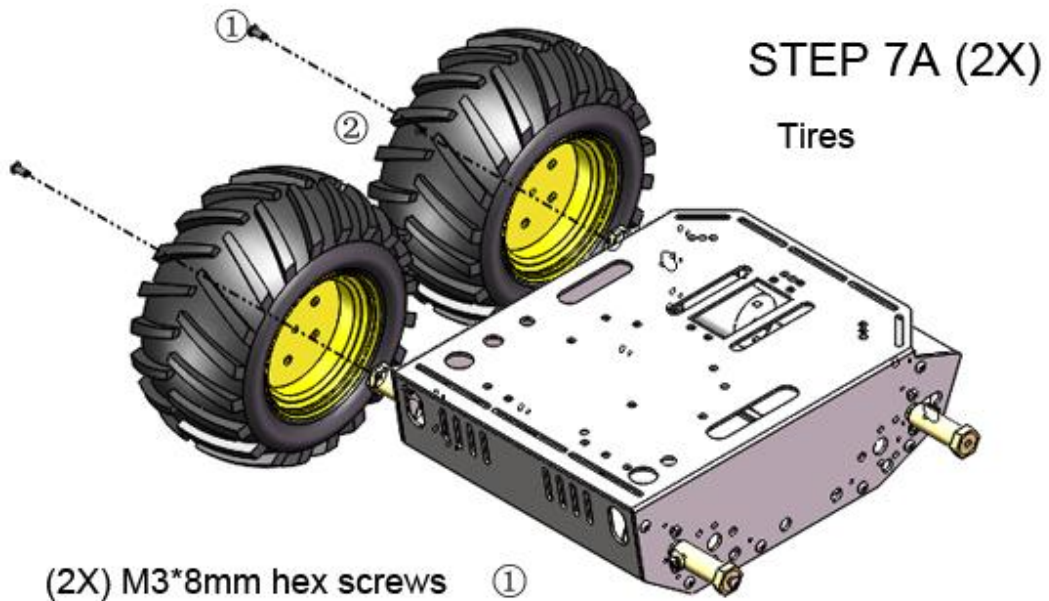
Bottom cover



(2X) M3*6mm hex screws ①

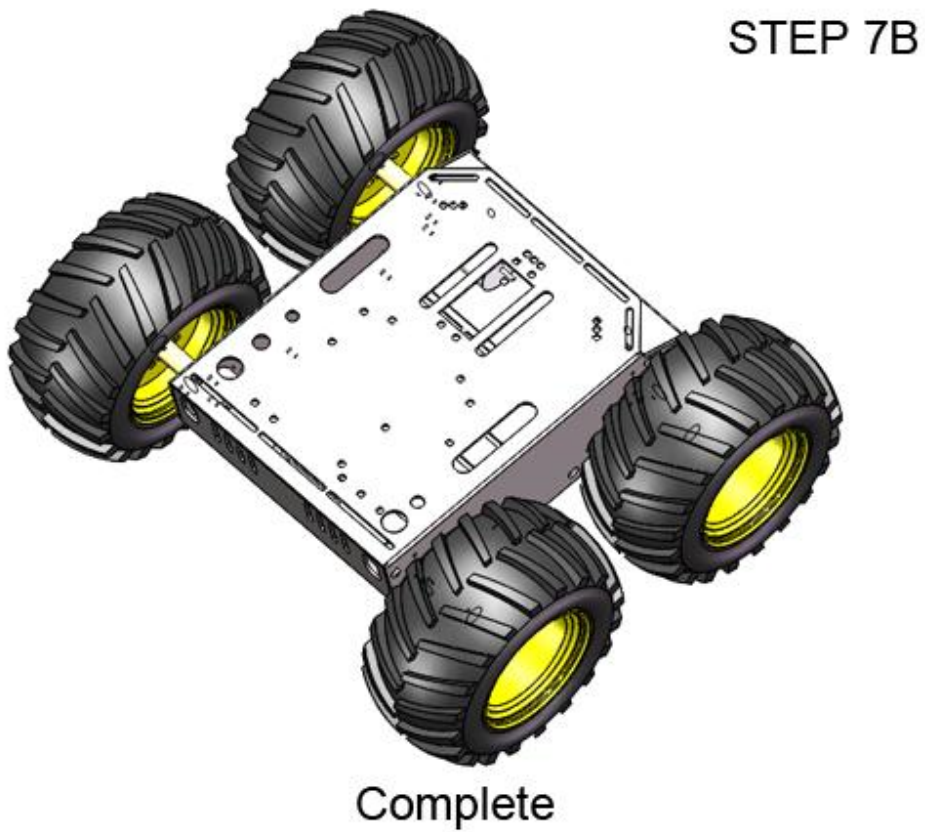
STEP 6B



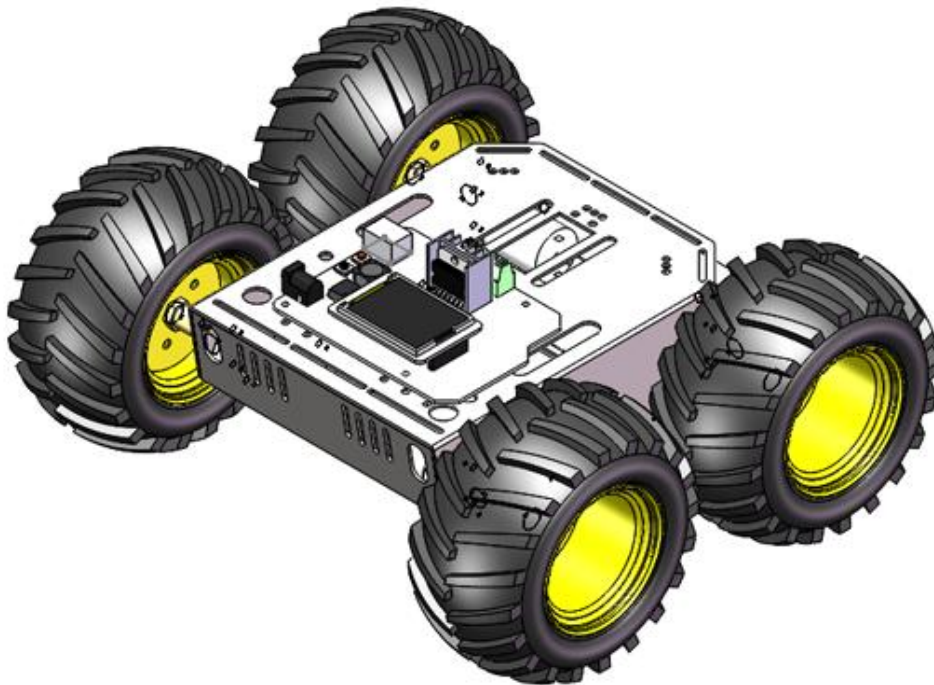
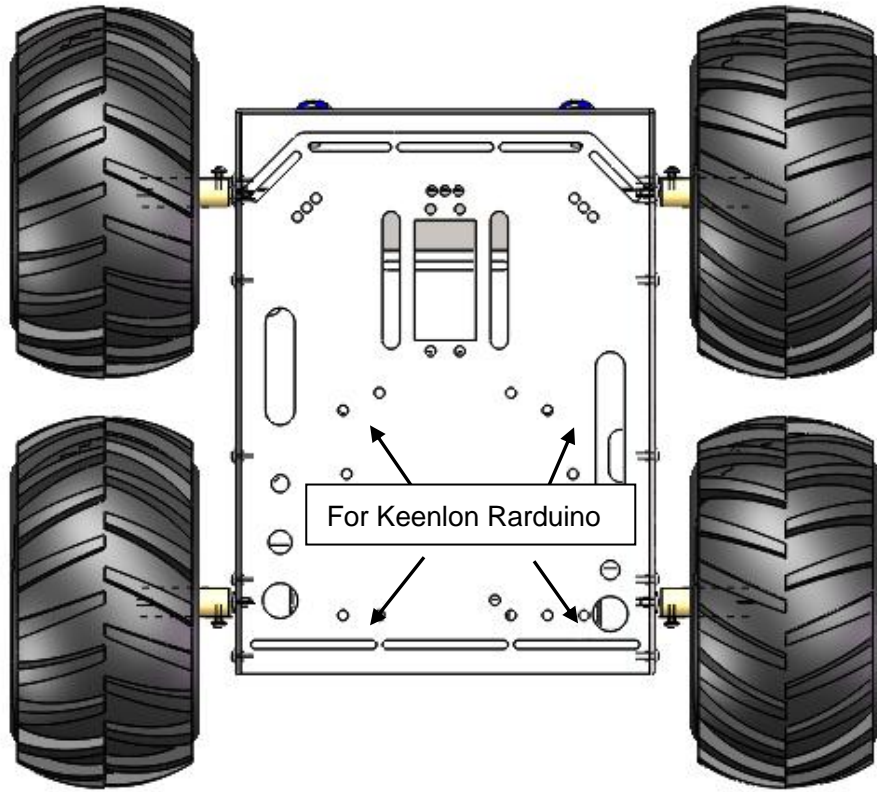


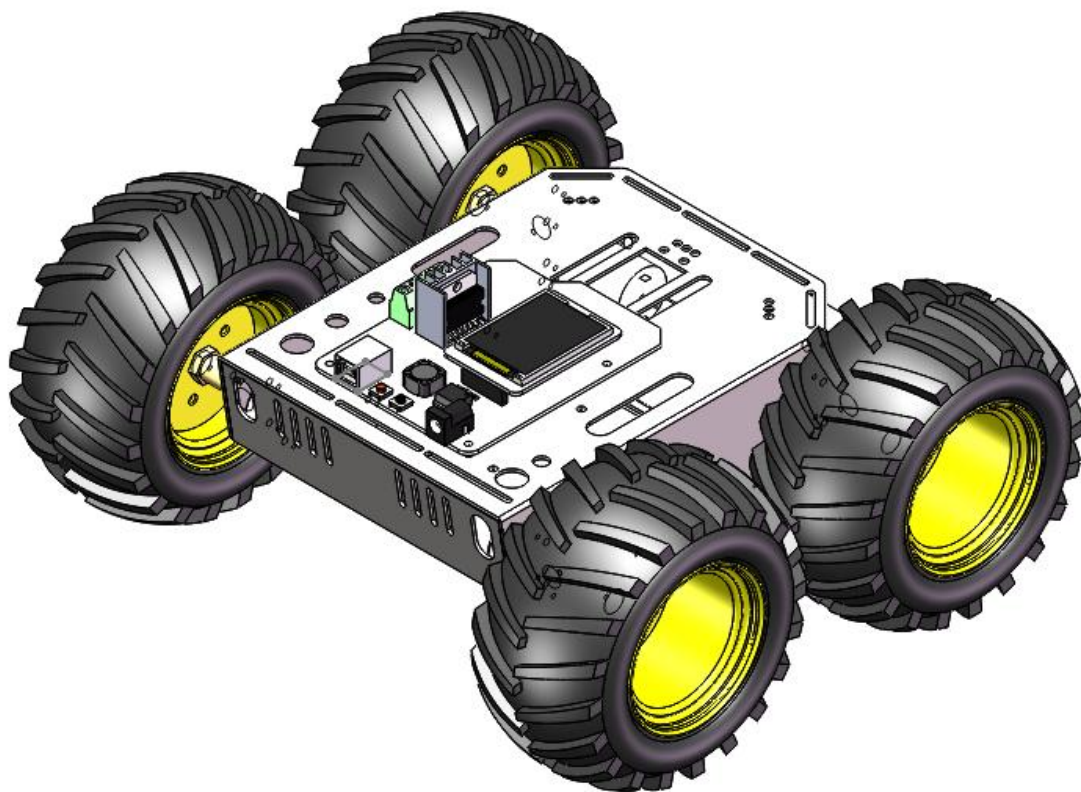
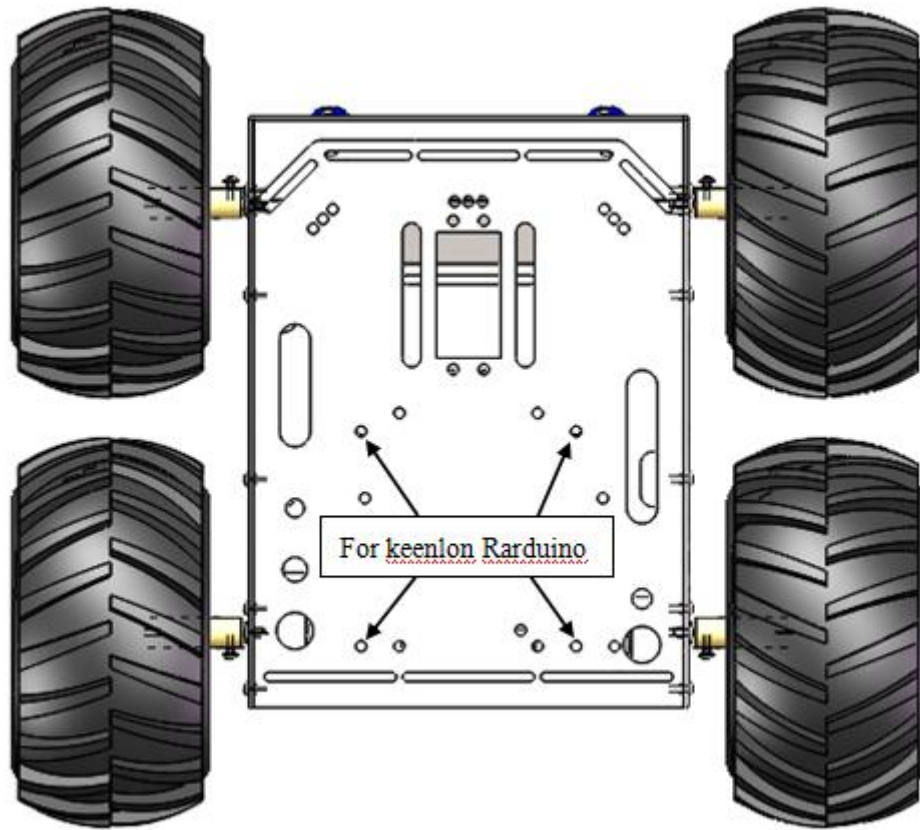
(2X) M3*8mm hex screws ①

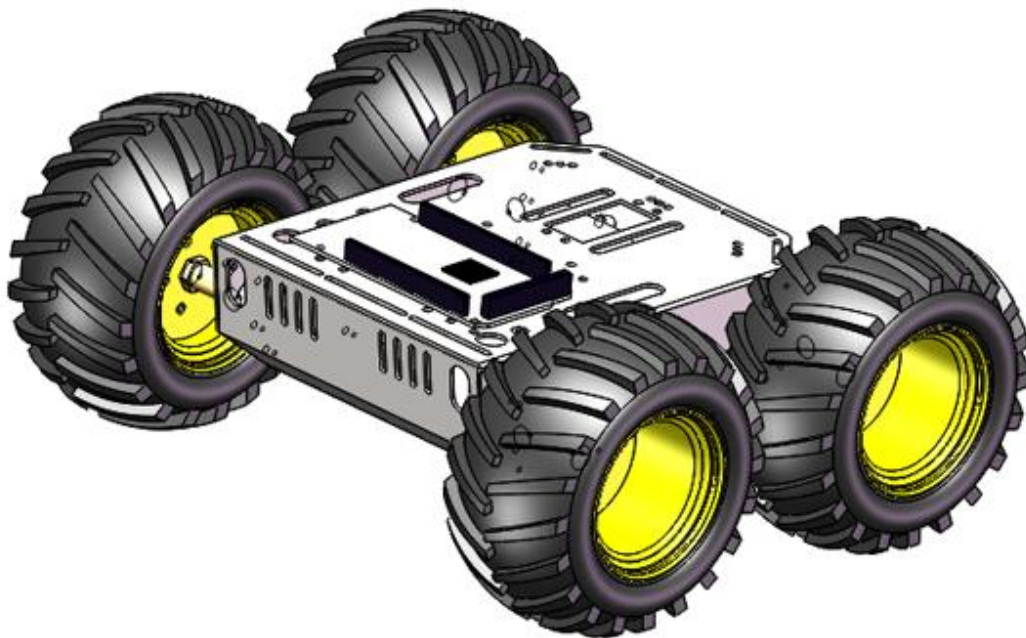
(2X) 126mm rubber tires ②

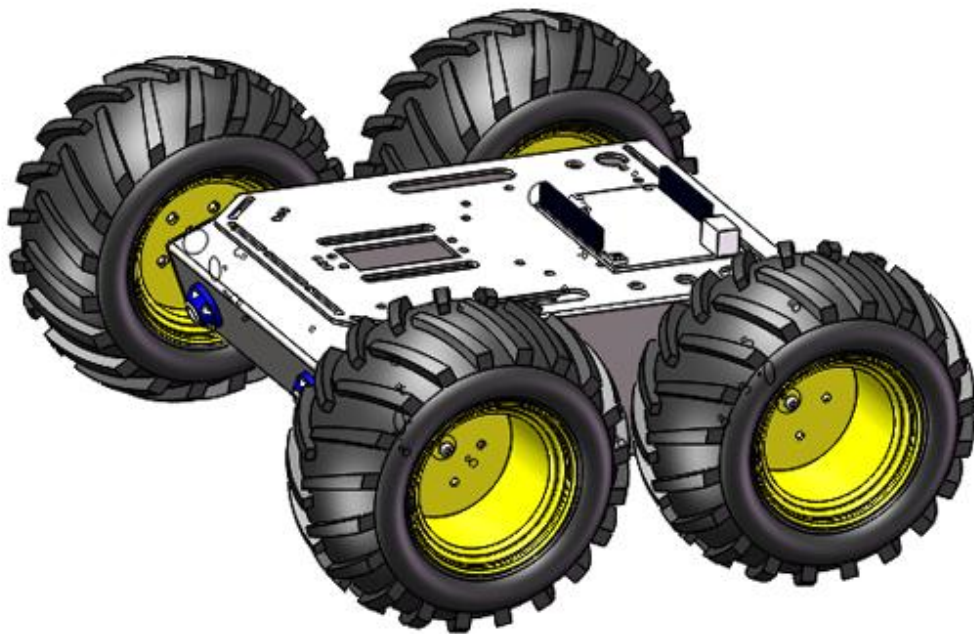
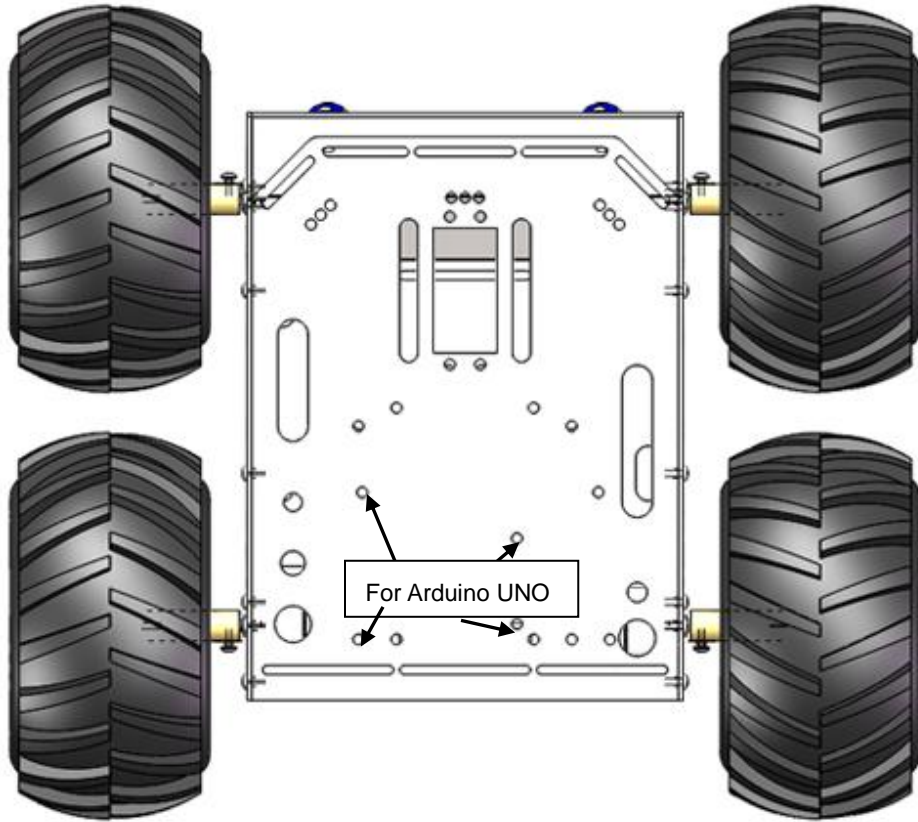


Electronic Devices Setup Guide

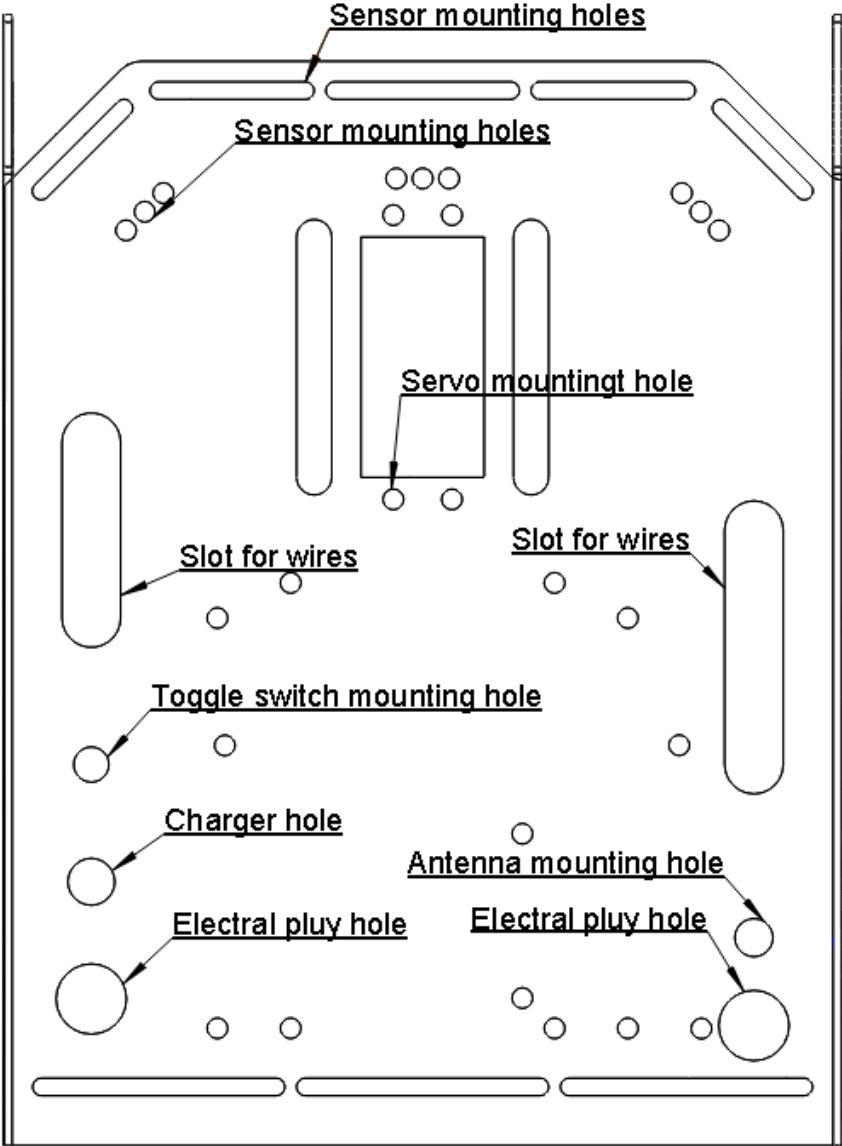








DEMO



HOLES

DEMO

